

### Standard Level

- ▶ 0°-180°inclinable binocular with PD adjusting knob
- ▶ 5-step Magnification Changer
- ▶ Floor Stand with "flower" basis
- ▶ 120° new coupling
- ▶ F250mm Objective Lens
- ▶ 12. 5X eyepieces



### OMS1950 Features:

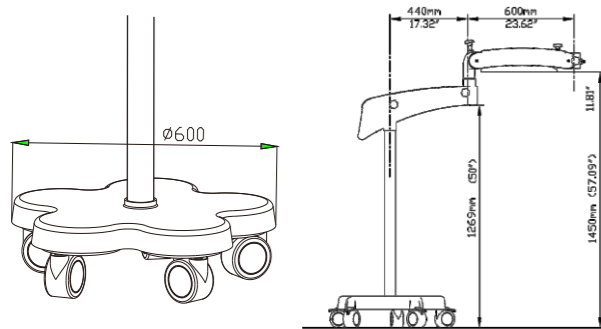
- ▶ Zumax LED Illumination: supplies bright, white and shadow-free light, >20, 000 hours lifetime
- ▶ 5-step manual magnification changer
- ▶ Balancing Arm (optional)
- ▶ Small, Mobility, Convenient for operation

### Basic configuration

Magnification system	5-step manual magnification changer $\gamma = 0.4\times, 0.6\times, 1\times, 1.6\times, 2.5\times$
Tubes	0°-180°inclinable binocular with PD adjusting knob, $f=170\text{mm}$
Eyepieces	12. 5x wide-field eyepieces; also suitable for eyeglass wearers
Focus	$F=250\text{mm}$ with fine focus fine focusing range 12mm
Illumination System	Integrated LED illumination >70, 000Lx Light spot diameter: $\phi 86\text{mm}$ at $f=250\text{mm}$ objective lens Yellow and green integrated filter
Mount mobility	120° coupler
Construction	Floor Stand with "Flower" shaped base

### example with $F=250\text{mm}$ lens and 12. 5x eyepiece:

Magnification changer	0. 4x	0. 6x	1x	1. 6x	2. 5x
Magnification	3. 4x	5. 4x	8. 5x	13. 5x	21. 2x
Diameter of Field-of-view (mm)	65	42	26	16	10



"Flower" shaped base



The light spot can be adjusted, from 9mm to 54mm under  $F250\text{mm}$  Objective lens



## OMS1950 Dental Microscope

**zumax**



### 0° -180° inclinable binocular tube

Inclinable binoculars feature the widest range of any binoculars for user comfort and enhanced ergonomics for surgeons of all Heights.



### Eye PD Adjusting Device (optional)

Pupillary distance accurate numbers have been marked on the knob, the dentist can conveniently and quickly adjust to their eye Pds.



### Wide field eyepieces

The wide fieldw eyepieces are easily pushed into the binocular tube and have integrated eyecups with stepless adjustment. The eyepieces are perfectly suited for surgeons who wish to work with their eyeglasses on as eye refraction can easily adjusted with a high range of +/-7D diopter.



### VarioDist Lens (optional)

Working distance range: 190mm~300mm, best suited for dentistry.



### 5-step Magnification Changer

The magnification changer knobs on both sides of the microscope head allow the user to quickly and conveniently select the optimum magnification, from an overview of an entire arch to high magnification for precise and close examination of each case. 5-steps are best suited for Dentistry as it covers all dental procedures.

### Pendulum function (optional)

